

Model 6600 Series



The First Fully Articulating General Purpose
Surgical Table available with Carbon Fiber Top

from Skytron

Fully Articulating General Purpose Surgical Table, available with Carbon Fiber Back/Leg Section(s)

*Skytron's Model 6600 Series General Purpose Table provides **Revolutionary Imaging** capability for today's most advanced procedures including **1,000 lb. Lift, 600 lb. Articulation, 210° Top Rotation, Full Body Imaging, Removable Back and Leg Sections** for optional **Carbon Fiber Back/Leg Section** attachment, **Full Table Functions, Durable, Back-lit, One Touch Pendant Control** and more! **Tested to 4X the Weight Safety Factor.***



*From **Ease of Set-up** to the **Reduced Need for Multiple Support Accessories**, the 6600 Series Table provides superior **User and Image-Friendly Flexibility** for **General Purpose and Specialty Procedures.***

The New Standard in Design for C-Arm Compatible General Surgery Tables



Exclusive 210° Top Rotation provides uncommon flexibility, unequalled for general purpose surgery. The 6600 Series eliminates any conflicts between surgeon and anesthesiologist during head-end procedures, while providing ample leg room for surgeons who prefer to sit during procedures.



Upper Body Imaging



Lower Body Imaging



Urology

Removable Back and Leg Section(s) for Maximum Imaging Flexibility

Removable Back and Leg Sections permit the use of an Optional 36" Fully Carbon Fiber Back/Leg Section, providing Speedy, Obstruction Free Imaging Amplification for Upper and Lower Body Procedures.



Removable Back Section



Removable Leg Section



36" Carbon Fiber Back/Leg Section



*Upper Body Imaging
(Carbon Fiber Back/Leg Section)
Back Section Attachment**



*Lower Body Imaging
(Carbon Fiber Back/Leg Section)
Leg Section Attachment**

Heavy Duty Weight Capacity in Standard Position or with Table Top Rotated 180°

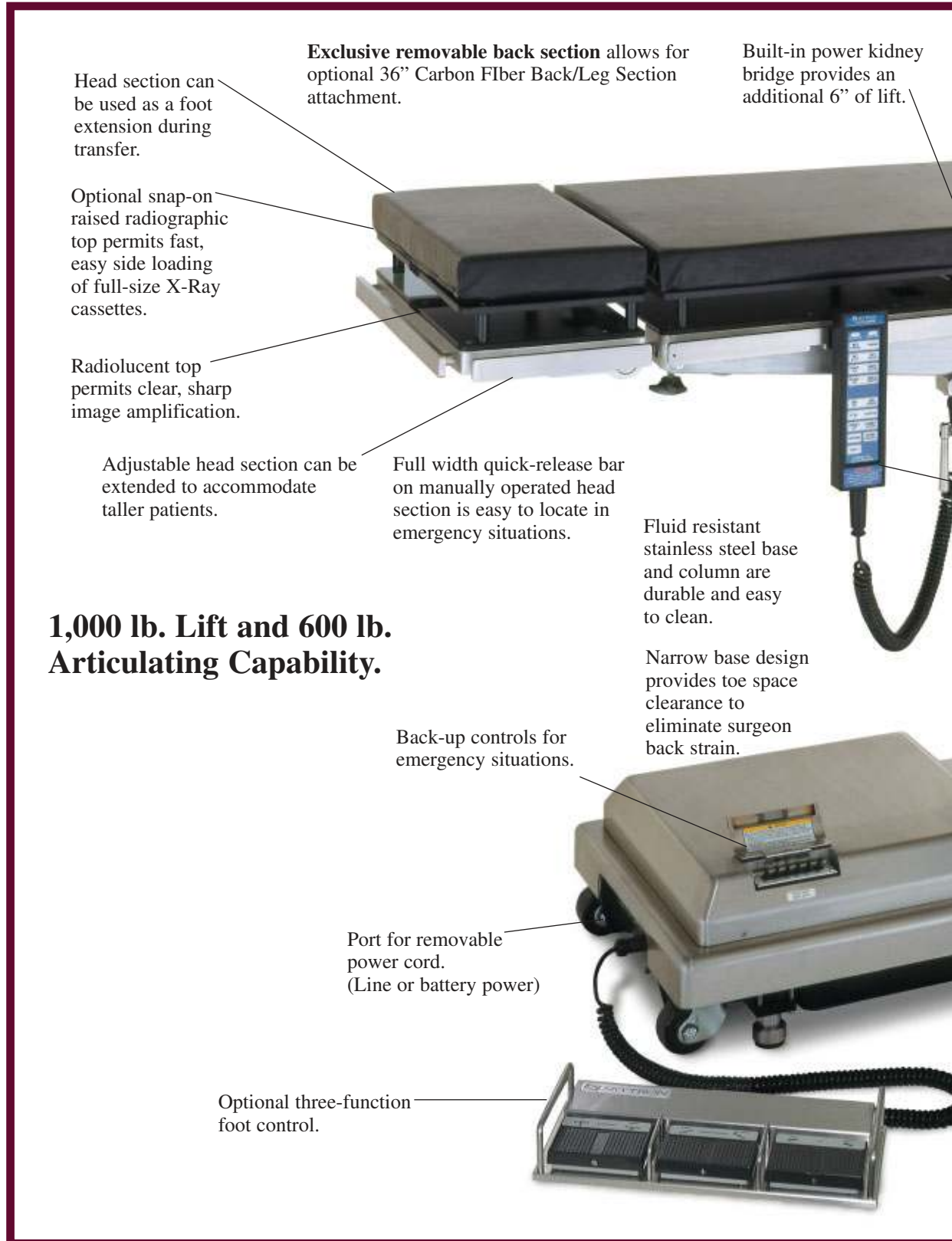


From General Purpose to Bariatric Surgery, the 6600 Series can do it all!

Including:

- 1,000 lb. Lifting Capacity, 600 lb. Articulation Capacity
- Tested to 4X the Weight Safety Factor
- 30° Patient Articulation
- 26" Low Height Adjustment
- Full Body Imaging Coverage
- Automatic 4-Point, Self-leveling Brake Safety System

Feature for Feature, the Most Advanced Imaging G



Head section can be used as a foot extension during transfer.

Exclusive removable back section allows for optional 36" Carbon Fiber Back/Leg Section attachment.

Built-in power kidney bridge provides an additional 6" of lift.

Optional snap-on raised radiographic top permits fast, easy side loading of full-size X-Ray cassettes.

Radiolucent top permits clear, sharp image amplification.

Adjustable head section can be extended to accommodate taller patients.

Full width quick-release bar on manually operated head section is easy to locate in emergency situations.

Fluid resistant stainless steel base and column are durable and easy to clean.

1,000 lb. Lift and 600 lb. Articulating Capability.

Narrow base design provides toe space clearance to eliminate surgeon back strain.

Back-up controls for emergency situations.

Port for removable power cord. (Line or battery power)

Optional three-function foot control.

General Purpose Surgical Table in the Industry

Exclusive 210° rotating top facilitates C-arm access, patient positioning and surgeon comfort.

Large perineal cut-out for better access.

Removable leg section allows for optional 36" Carbon Fiber Back/Leg Section attachment.

Unique frame construction eliminates cross-members and allows unobstructed C-arm access.

Standardized side rails accept most accessories.

Durable one-touch, back-lit pendant controls all functions from any point around the perimeter of the table.

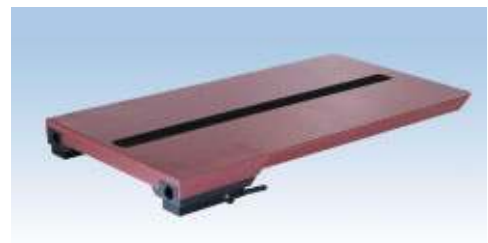
Exclusive 210° Top Rotation

4-point brake system maximizes table stability.

Self-leveling brakes automatically compensate for uneven floors and assure a solid work surface.

Fully mechanical brake release.

Swivel casters permit side movement for ease of cleaning between cases.



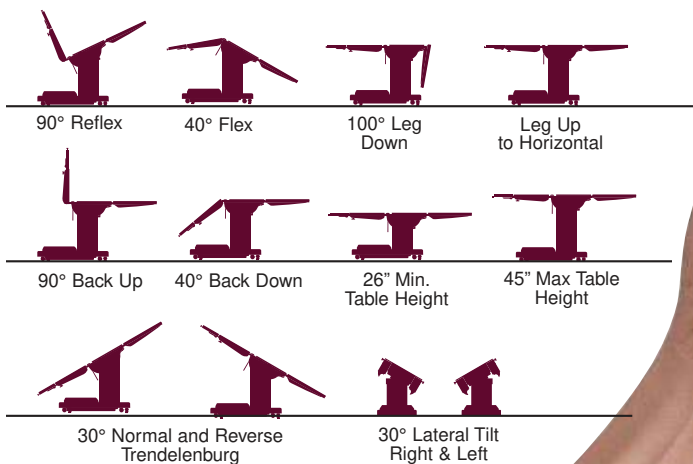
Optional 36" Carbon Fiber Back/Leg Section provides for obstruction free upper and lower body imaging.

Back-lit, Exceptionally Durable One Touch Pendant Control with Full Table Functions

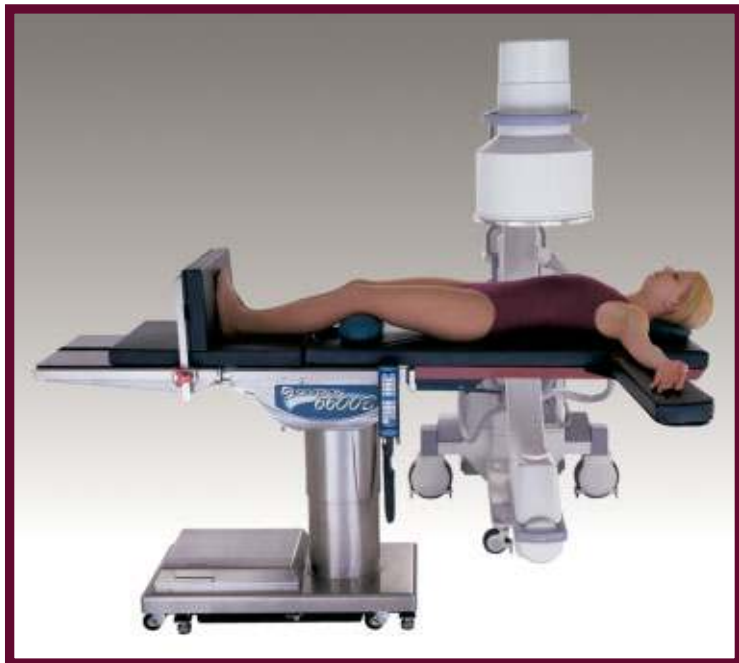
It's simply the easiest pendant to use from any spot around the table, with convenient back-lighting for low light applications.

- Simple One Touch Operation
- Back-Lit Control for High Visibility
- Audible Alarm for Kidney Bridge/Back Up Articulation
- Anatomically Correct Return-to-Level
- Recessed Buttons Eliminate Accidental Activation
- Exceptionally Durable, Water Resistant Pendant Control
- Can Be Used in Conjunction with optional Three Function Foot Control

Full Table Functions



6600 Series Positioning Guidelines



Upper Body Imaging Accessories: 4-030-36 36" Carbon Fiber Back/Leg Extension; 2-060-01 + 2-060-01-2P Single Carbon Fiber Armboard with 2" Standard Pad; 4-030-13 + 4-030-13-2P 10" Foot Extension with 2" Standard Pad and Clamps.



Lower Body Imaging Accessories: 4-030-36 36" Carbon Fiber Back/Leg Extension; 2-020-02 Multi-Task Armboard with Pad and 6-040-07 E-Z Lock Clamp.



Lap Nissen Accessories: 3-040-07 Pelvic Tilt Seat with Pad; 4-030-60 Universal Split Leg with 2" Pads and Built-in Clamps; 4-030-01 Foot Rests with Clamps; 2-020-02 Multi-Task Armboard with Pad and 6-040-07 EZ Lock Clamp.



Urology Accessories: 5-010-18-B Radiographic Top; 4-090-03-1 + 6-030-05 Levitator Stirrups and (2) 6-030-05 EZ Grip Clamps; 4-040-14 Uro Catcher II; 4-040-14-1 Sterile Pouch; 2-010-02 + 2-010-02-4P Standard Armboard with 4" Pad.

6600 Series Positioning Guidelines



Ophthalmic/ENT Accessories: 6-010-41-V 90" Restraint Strap; 4-030-13 + 4-030-13-2P 10" Foot Extension with 2" Standard Pad and Clamps; (2) 2-010-02 + 2-010-02-2P Standard Armboard with 2" Pad.



Nephrectomy Accessories: 6-010-42 58-1/2" Snap Restraint Strap; 2-020-02 Multi-Task Armboard with Pad and 6-040-07 EZ Lock Clamp; 4-030-13 + 4-030-13-2P 10" Foot Extension with 2" Pad and Clamps; 3-010-03 + 6-030-05 Universal Patient Positioner and Clamp; 2-010-02 + 2-010-02-2P Standard Armboard with 2" Pad.



Neuro (neck) Accessories: (2) 2-020-01-1 Raised Armboards and (2) 6-040-07 EZ Lock Clamps; 6-010-41-V 90" Restraint Strap; 4-030-13 + 4-030-13-2P 10" Foot Extension with 2" Standard Pad and Clamps.



Neuro (lumbar) Accessories: 6-010-42 58-1/2" Snap Restraint Strap; 2-020-02 Multi-Task Armboard with Pad and (2) 6-040-07 EZ Lock Clamps.

6600 Series Positioning Guidelines



Shoulder Arthroscopy Accessories: 6-010-41-V 90" Restraint Strap; 3-040-04 Power Lift Shoulder Arthroscopy Positioner; 4-030-13 + 4-030-13-2P 10" Foot Extension with 2" Standard Pad and Clamps; 3-010-04 Lateral Brace and EZ Lock Clamp (included).



Neuro (head) Accessories: 4-030-13 + 4-030-13-2P 10" Foot Extension with 2" Standard Pad and Clamps; 6-010-42 58-1/2" Snap Restraint Strap.



Hip Revision Accessories: 2-020-02 Multi-Task Armboard with Pad and 6-040-07 EZ Lock Clamp.



Cardiovascular Accessories: 6-010-42 58-1/2" Snap Restraint Strap; 6-020-04-1 "L" Type Anesthesia Screen and 6-040-07 EZ Lock Clamp; 4-030-13 + 4-030-13-2P 10" Foot Extension with Clamps and 2" Standard Pad.

6600 Series Table Specifications

Warranty

Standard warranty covers parts and labor for two full years.

Installation/Maintenance

Installation supervision is provided. Preventive maintenance and service are available.

In-Service Training

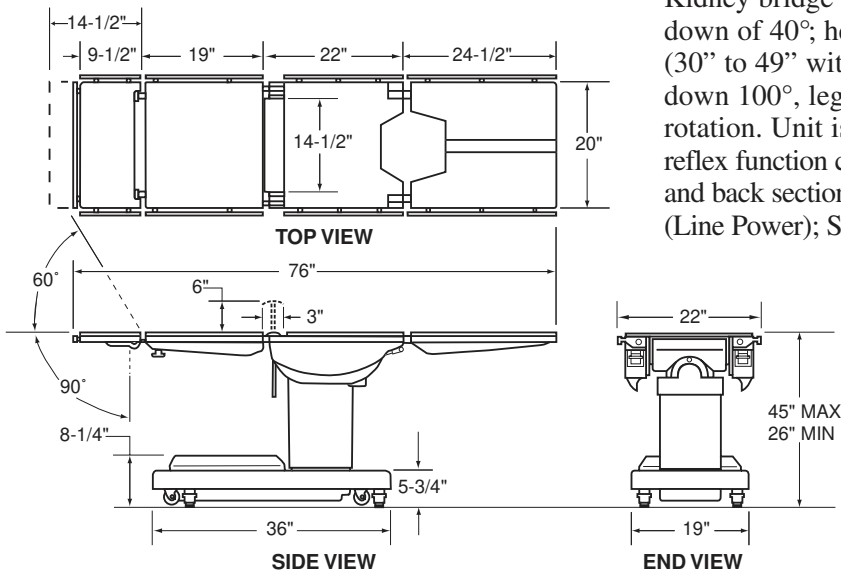
On-site surgical staff training is provided by your local Skytron representative.

Electrical Specifications

Power requirements: 120 VAC, 60Hz 450 Watts
Current leakage: Less than 100 micro amps
Power cord: 15 feet with hospital grade connector

Specifications

Electro-hydraulic operating room table shall operate at 120v, 60Hz, 1 phase and be protected by 10 amp circuit breaker. A removable 15-foot power cord with hospital grade plug shall be provided. Conductive casters shall allow side movement for ease of operation and cleaning. Unit is to be equipped with standardized side rails and a four-point, push-button operated braking system for safety and stability. A pendant-type control unit shall be operable from any point around the entire perimeter of the table. The table is to lift 1,000 lbs. and fully articulate a 600 lb. patient. Entire table top shall be radiolucent to provide image intensification capability. Positioning capabilities to include: lateral tilt of 30°; Trendelenburg and reverse Trendelenburg of 30°; Kidney bridge elevation of 6°; back up of 90°; back down of 40°; height adjustment range of 26" to 45" (30" to 49" with x-ray top and 2" pad); leg section down 100°, leg section up to horizontal; 210° top rotation. Unit is also provided with 40° flex and 90° reflex function control button. Removable leg section and back section. Table is to be Skytron Model 6600 (Line Power); Skytron Model 6600B (Battery Power).



Local Representative